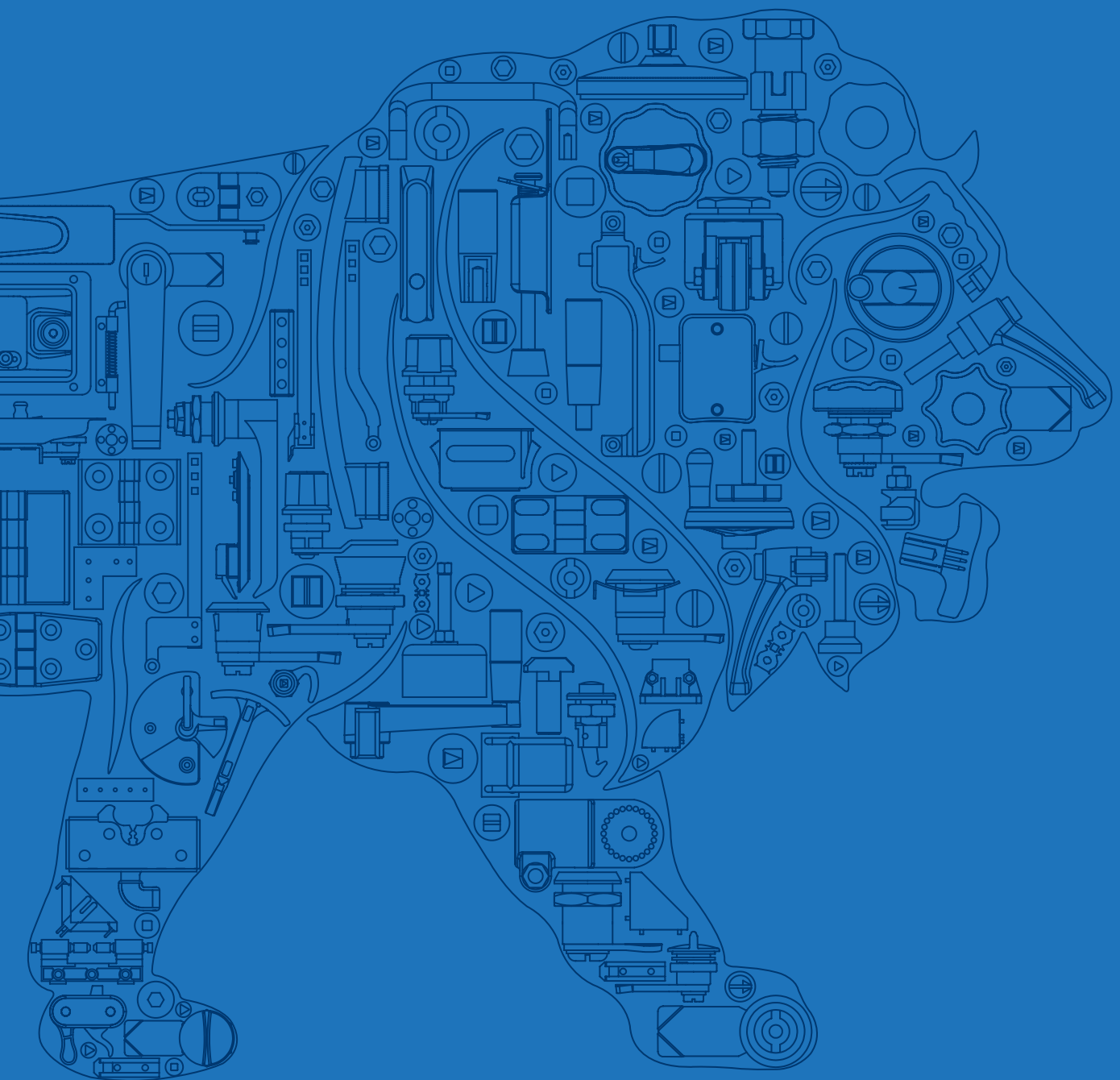


D darshana®



Made in India  Made for You

WHO WE ARE

India's Largest and Most Trusted Manufacturer of
Access Hardware and Machine Components

Founded in
1982

Highly focused on
INDIA'S
Strong Machine
Building Industry

Engineering

Tooling

Manufacturing

Sales

Two Locations in
PUNE

120,000 sq. ft.
(11,000 sq. m.)
AREA

OVER 350

People Committed to Customer Satisfaction

OVER 20 DEALERS

in India and reliable partners overseas to provide end to end
integration of parts in customer's designs

OVER 90%

of components used are

MADE-IN-HOUSE

Ensures control of quality and delivery

OUR PRESENCE IN VARIOUS SECTORS



Agriculture



Airline Industry



Automation



Automobile



Dairy



Defence



Earthmoving



Electric Panels



Food



Generator



Hospital Essentials



HVAC



Interior



Kitchen Equipment



Machine Building



Marine



Medical



Office Furniture



Pharma



Printing & Packing



Railways



Renewable Energy



Telecom



Waste Management

OUR GLOBAL PRESENCE

India

- Ahmedabad
- Aurangabad
- Bengaluru
- Chennai
- Coimbatore
- Delhi
- Goa
- Hyderabad
- Indore
- Kolhapur
- Mumbai
- Nagpur
- Nashik
- Noida
- Pune
- Punjab
- Rajkot
- Surat
- Vadodara

International

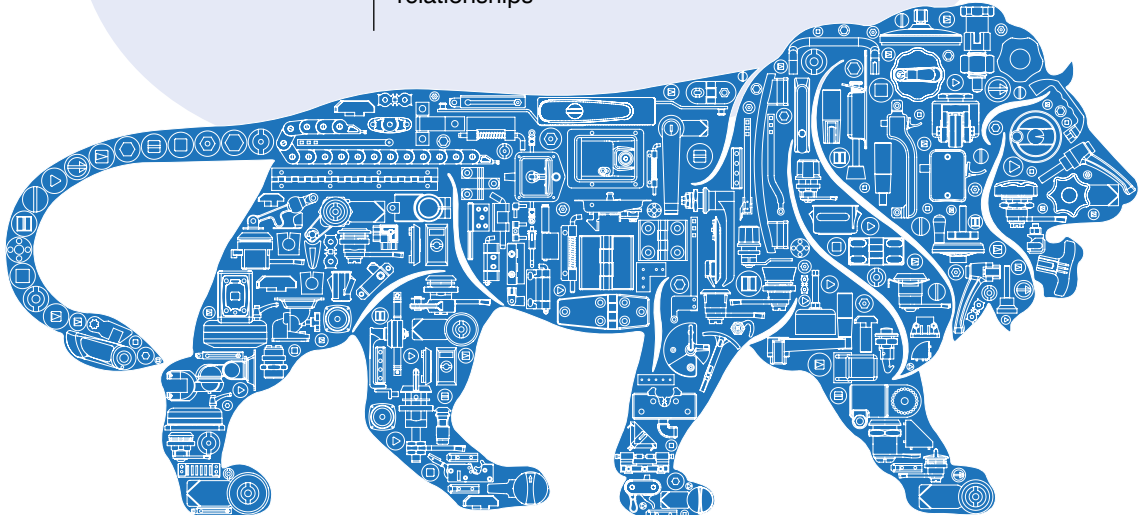
- Australia
- Canada
- Egypt
- France
- Iceland
- Ireland
- Israel
- Italy
- Kenya
- Kuwait
- Lebanon
- Malaysia
- Netherlands
- New Zealand
- Nigeria
- Oman
- Philippines
- Poland
- Saudi Arabia
- South Africa
- Spain
- Sri Lanka
- Thailand
- UAE
- United Kingdom
- Yemen
- Zambia
- USA

Vision

To be the leading trusted source of engineered machine components.

Mission

To create continuous growth opportunities through value driven product designs and operations.
We will achieve this growth through well engineered designs that ensure product reliability and efficient manufacturing operations that are committed to quality, consistency, and cost management
Customer connectivity that creates long-term relationships



Made in India  Made for You



Primary Processes in Facility 1

- Zinc Die Casting
- Injection Molding
- Powder Coating
- Laser Cutting
- CNC Machining
- Gasketing
- Key Making
- Robotic Welding
- Robotic Buffing
- Automated Assembly Lines

ISO CERTIFIED


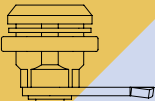
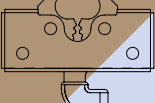
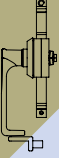
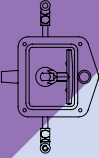
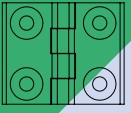
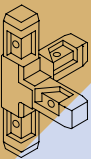
9001 : 15 | 14001 : 15 | 45001 : 15

Primary Processes in Facility 2

- Stamping Unit
- Riveting Line
- Secondary Finishing Lines
- Assembly (Sheet Metal Components)
- Space for expansion



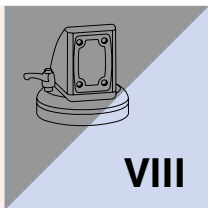
Product Categories

Colour coding for Category identification	Product Category	Category Sub Colour Shade	Page No.
 I	HANDLES		008 to 083
 II	LOCKS		084 to 119
 III	LATCHES		120 to 145
 IV	MULTI-POINT LOCKS		146 to 179
 V	CANOPY LOCKS		180 to 195
 VI	HINGES		196 to 267
 VII	CONVEYOR COMPONENTS		268 to 291

Part Code Configurator



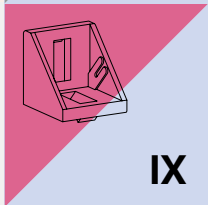
For building the **Part Code** please fill the variables that are outlined values from the table referring the drawings.



VIII

SUPPORT ARM SYSTEM

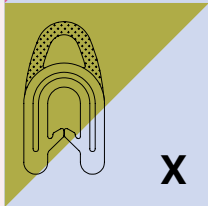
292 to 323



IX

ALUMINIUM SECTIONS & ACCESSORIES

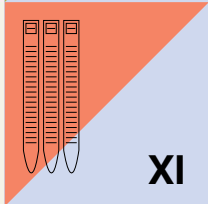
324 to 343



X

GASKETS

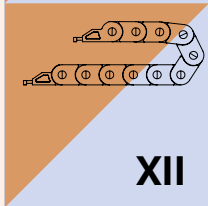
344 to 349



XI

CONDUIT ACCESSORIES & CABLE TIES

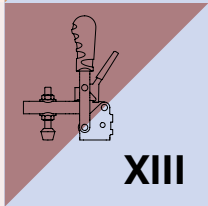
350 to 355



XII

DRAG CHAINS

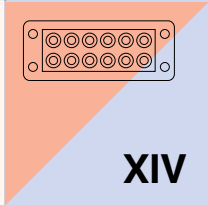
356 to 361



XIII

TOGGLE CLAMPS

362 to 379



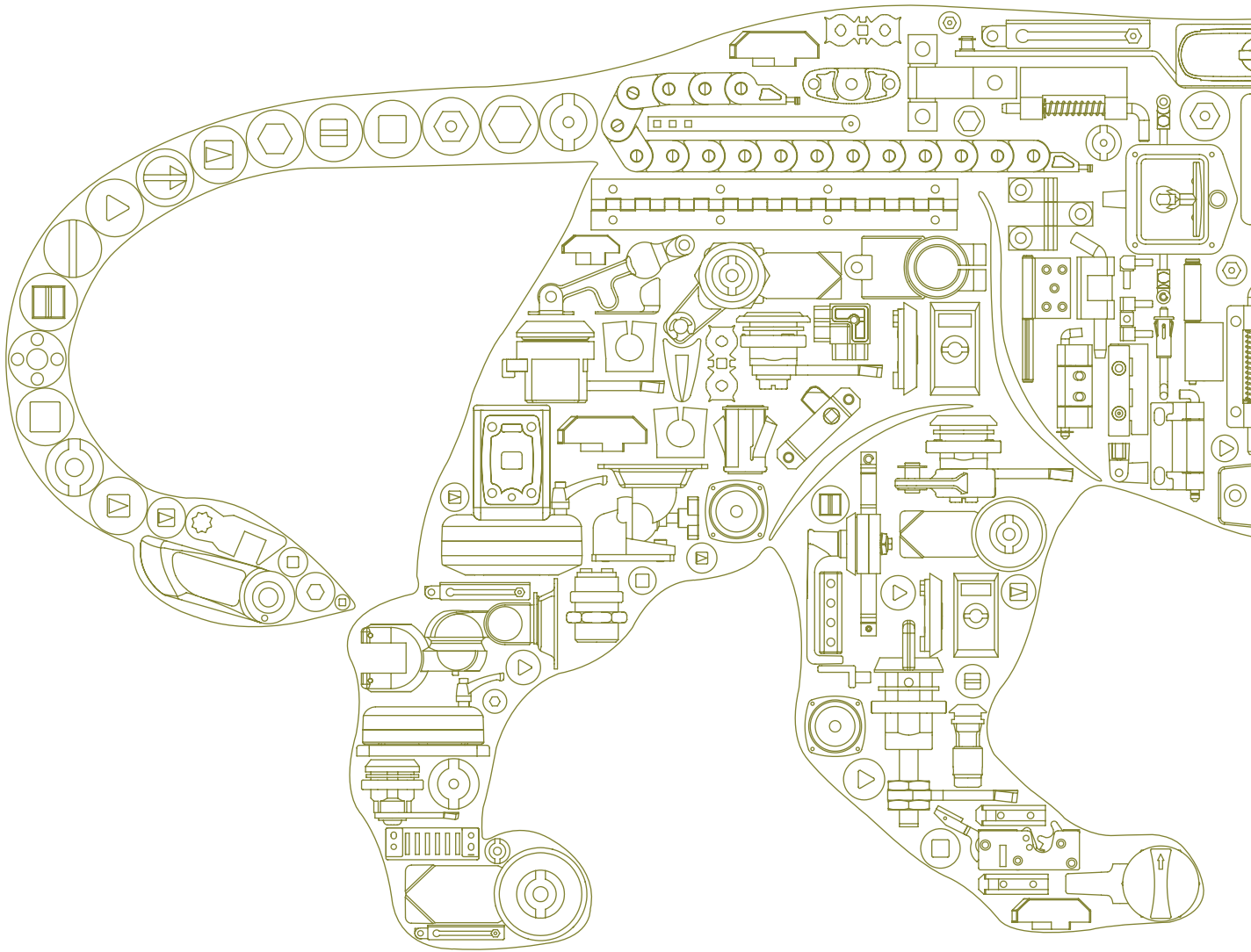
XIV

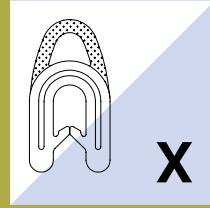
CABLE MANAGEMENT SYSTEM

380 to 385

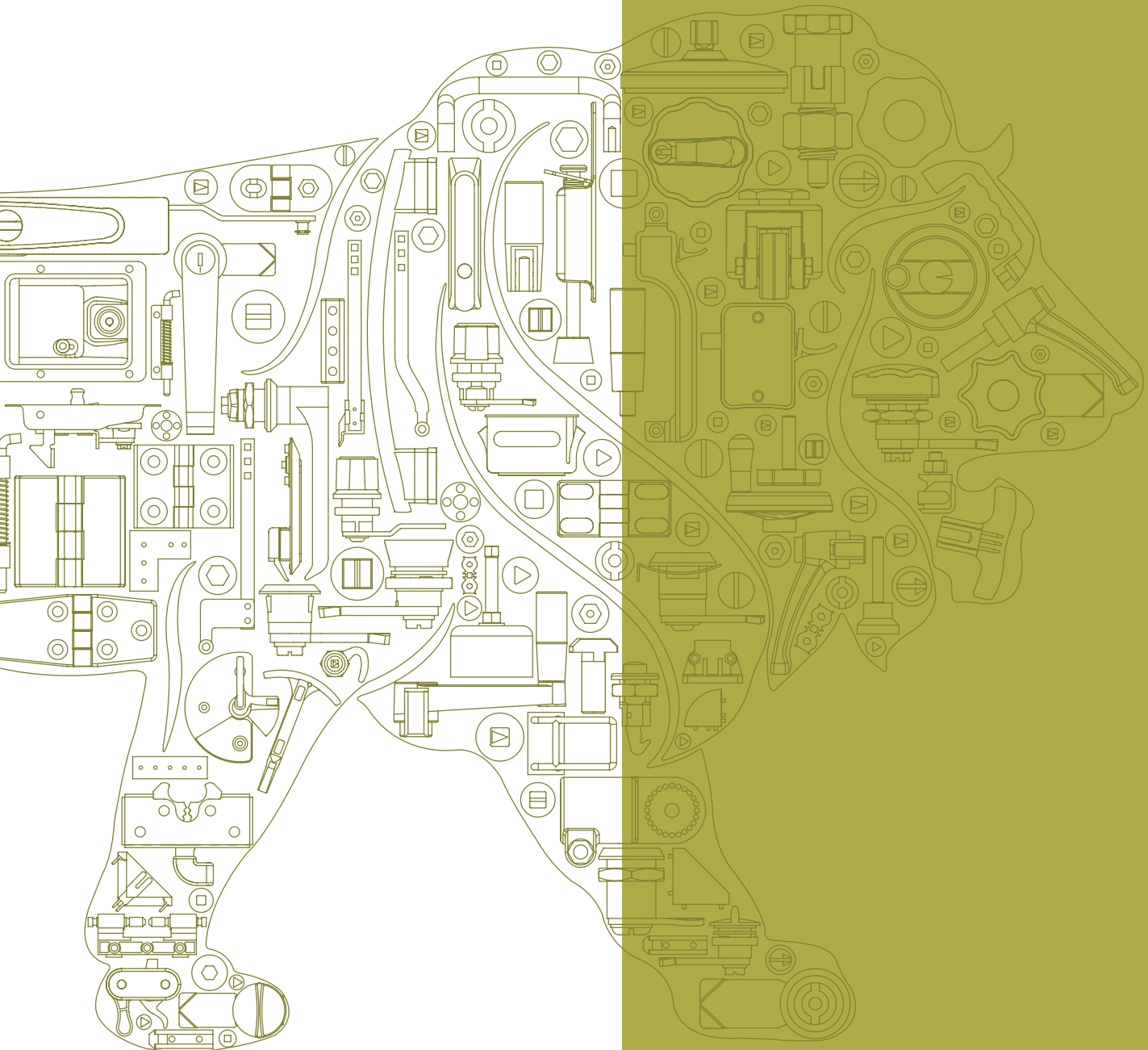
Part Code Index

Product Name	Material	Page
Lip Gasket	EPDM	346
Edge Seal Gasket		
Glass Gasket		347
Edge Protector Gasket		348
Top Bulb Wire Gasket		349





GASKETS

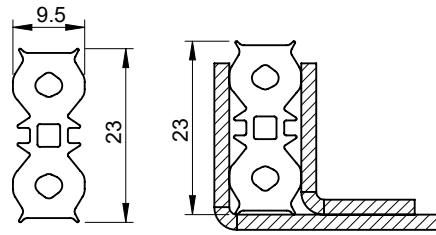


Made in India  Made for You

GASKETS

Lip Gasket

EPDM

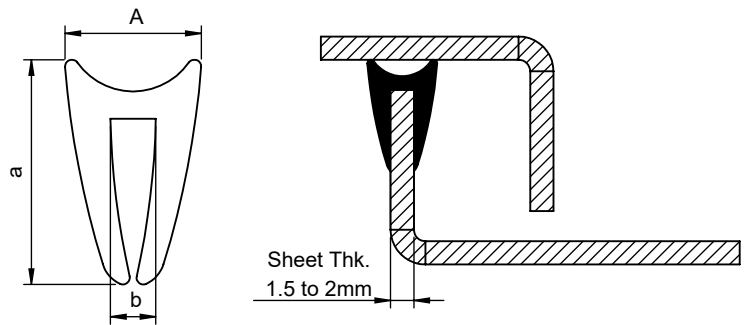


D G E S - 9.5

Part Code
DGES-9.5

Edge Seal Gasket

EPDM

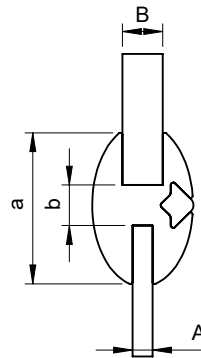


D E P E - A

A	a	b
6	10	2
7	15	
8	10	

Glass Gasket

EPDM

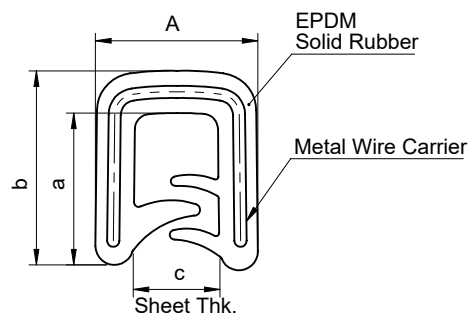


D **G** **G** - **A** - **B**

A	B	a	b
2.5	6	21	7
2	4	15	4

Edge Protector Gasket

EPDM



D **E** **P** **E** **W** **C** - **A**

A	a	b	C
11	10	13	5
12	12	15	6

X



I



II



III



IV



V



VI



VII



VIII



IX



X



XI



XII



XIII



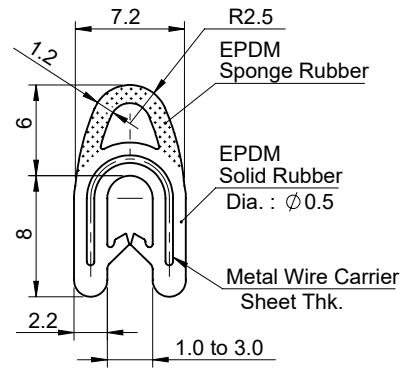
XIV



GASKETS

Top Bulb Wire Gasket

EPDM

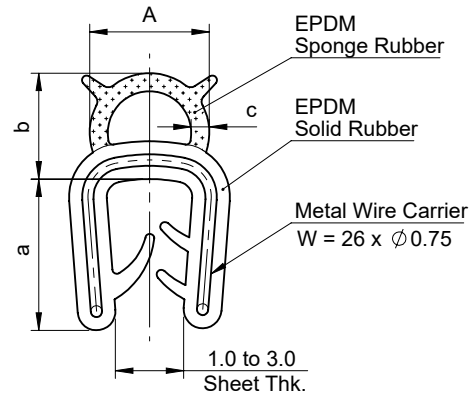


D G E W C - 7

Part Code
DGEWC-7

Top Bulb Wire Gasket

EPDM

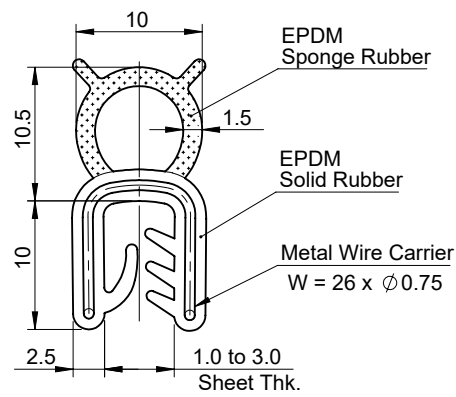


D G E W C - A

A	a	b	C
8	10	7	1.2
8.4	9	6.5	
10	10	10.5	1.5

Side Bulb Wire Gasket

EPDM

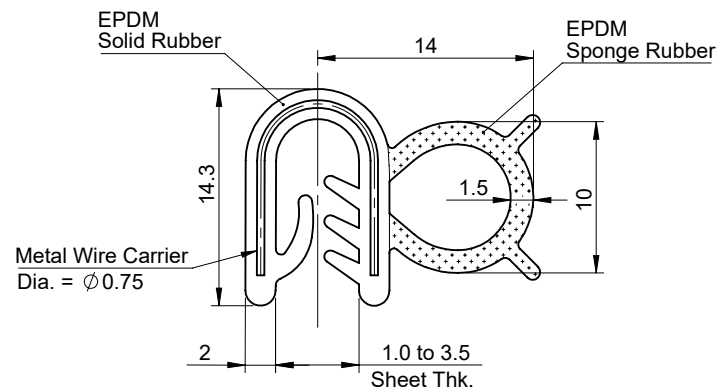


D G E W C - 10

Part Code
DGEWC-10

Side Bulb Wire Gasket

EPDM



D G E W C - 1410 - H

Part Code
DGEWC-1410-H

X



I



II



III



IV



V



VI



VII



VIII



IX



X



XI



XII



XIII



XIV



Ideas



Darshana Industries Pvt. Ltd.

📍 Head Office & Factory:
Sub Plot No. 32, Final Plot No. 6,
Ramtekdi Industrial Estate, Hadapsar,
Pune-411 028. Maharashtra, INDIA.

☎ Tel: +91 20 2951 1572

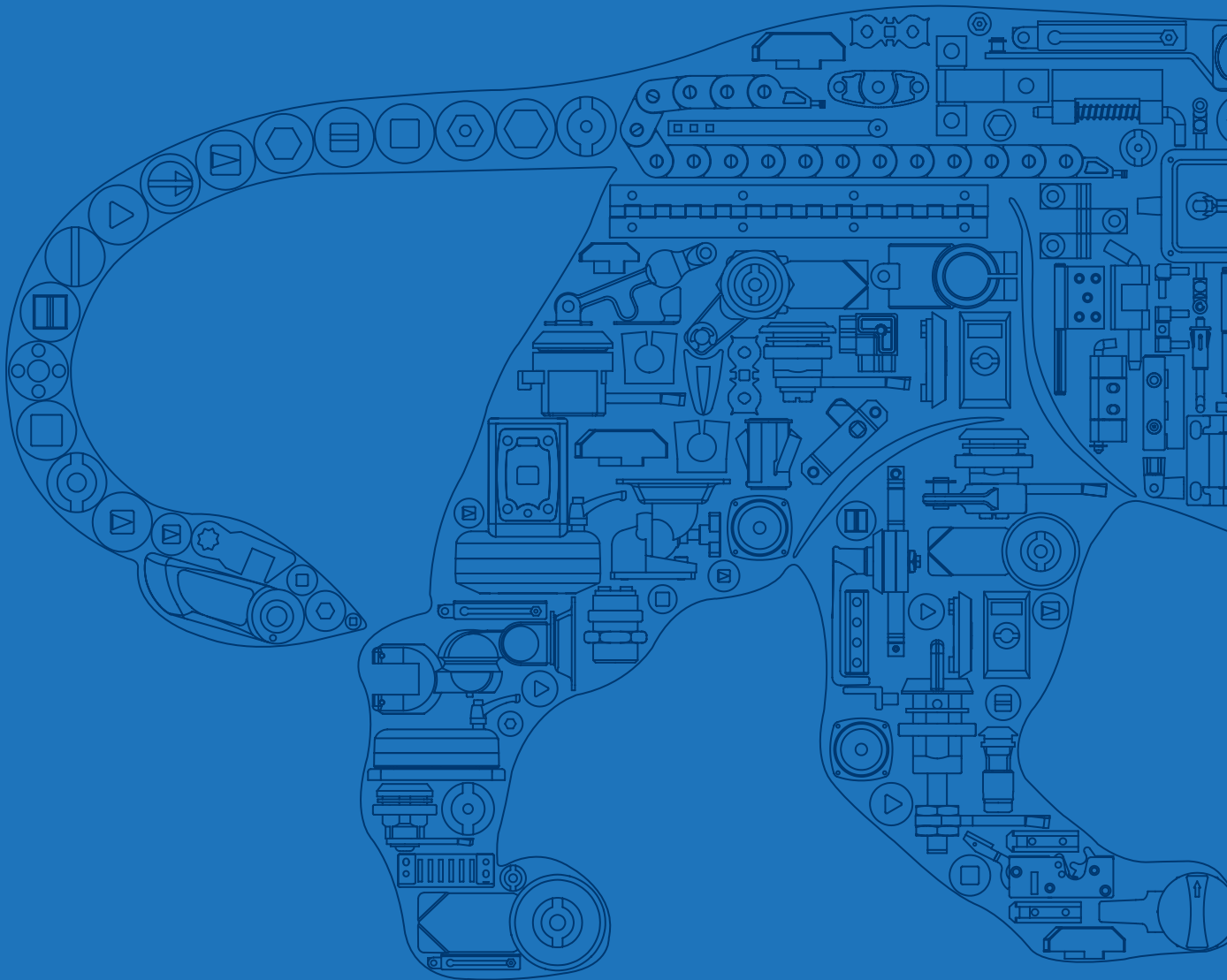
🌐 darshanaindustries.com

Head of Sales & Exports

👤 **Sanket Sutrave**
✉ ssutrave@darshanaindustries.com

Head of Business Development

👤 **Jethan Reddy**
✉ jmadhireddy@darshanaindustries.com



Made in India 🌐 Made for You